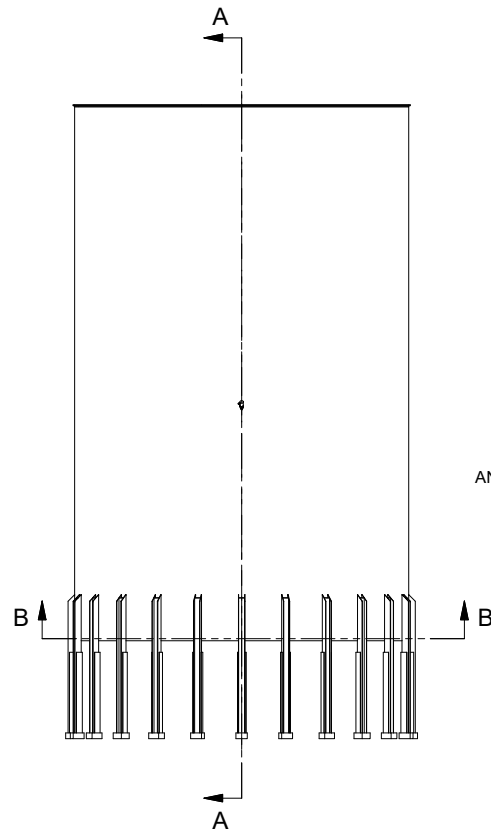
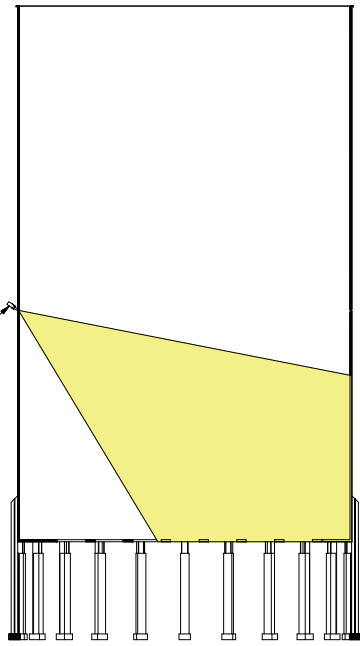


VIEW FROM A SINGLE CAMERA

VIEW FROM 2 CAMERAS

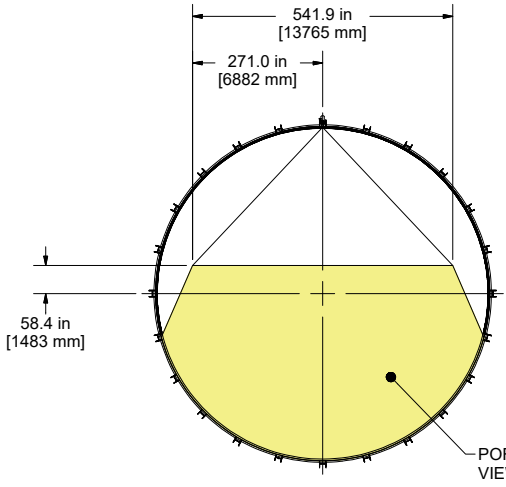


CAMERA 1 WITH VIEW ANGLE REPRESENTATION



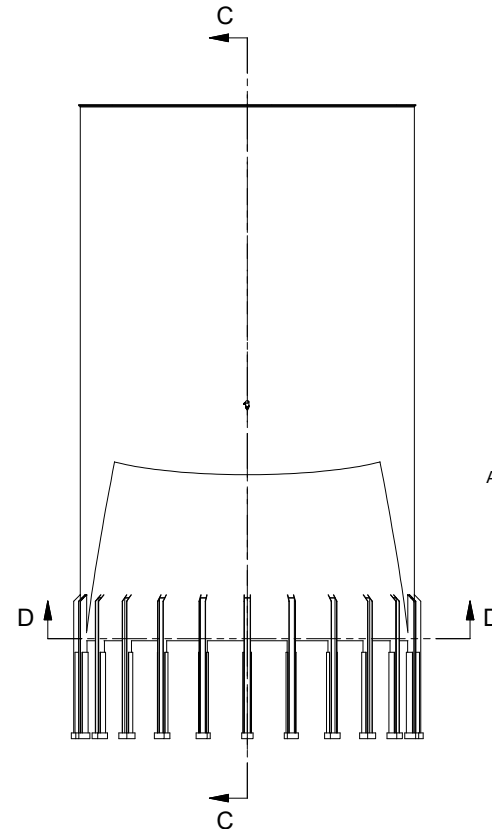
SECTION A-A
SCALE .005 : 1

SIDE VIEW
SCALE .005 : 1

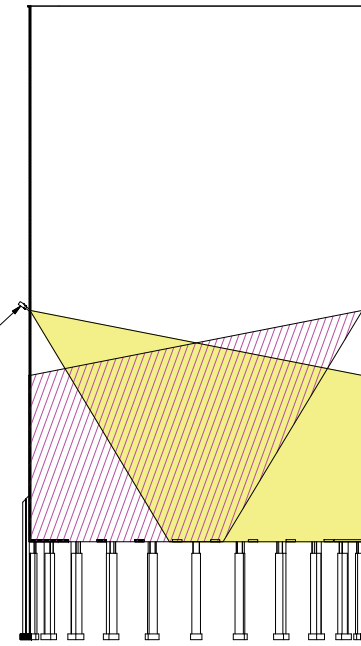


PORTION OF BURNERS COVERED BY VIEW OF CAMERA 1
VIEW OF CAMERA 2 IS A MIRROR IMAGE OF CAMERA 1

SECTION B-B
SCALE .005 : 1



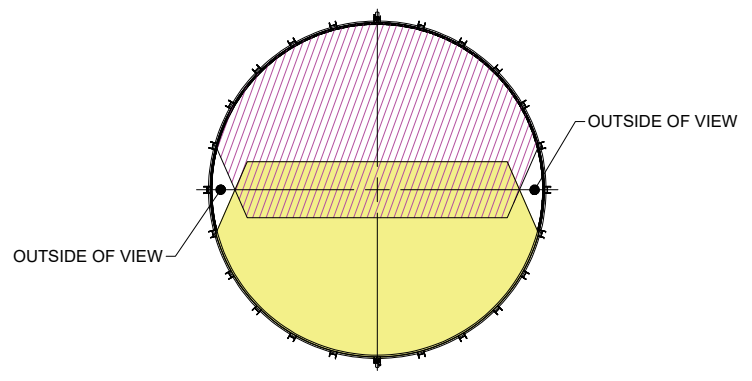
CAMERA 1 WITH VIEW ANGLE REPRESENTATION



SECTION C-C
SCALE .005 : 1

SIDE VIEW
SCALE .005 : 1

CAMERA 2 WITH VIEW ANGLE REPRESENTATION



SECTION D-D
SCALE .005 : 1

<p>NOTICE THIS DRAWING IS THE PROPERTY OF J.M. CANTY AND MUST BE RETURNED WITHOUT REPRODUCTION OR DUPLICATION, AT ANY TIME UPON REQUEST, BUT IN ANY EVENT AS SOON AS IT HAS SERVED THE PURPOSE FOR WHICH IT WAS FURNISHED. WHILE IN THE POSSESSION OF THE RECIPIENT, IT MUST BE PROPERLY SAFEGUARDED AGAINST DISCLOSURE TO ANYONE EXCEPT THOSE EMPLOYEES WHO REQUIRE IT FOR WORK OR JOB. THE RECIPIENT MUST KEEP CONFIDENTIAL AND REQUIRE HIS (HER) EMPLOYEES TO KEEP CONFIDENTIAL THE INFORMATION CONTAINED HERE ON.</p>	<p>IMPORTANT FOR THE REQUIRED MANUFACTURING SPECIFICATIONS SEE DOCUMENT #A4955</p> <p>NOTE: FAILURE TO RECEIVE DOCUMENT DOES NOT WAIVE VENDOR RESPONSIBILITY</p>	<p>DRAWN BY DEJ</p>	<p>DATE 05-Apr-24</p>	<p>J.M. CANTY INC. 6100 DONNER RD. BUFFALO, N.Y. 14094 U.S.A.</p>	<p>CANTY WWW.JMCANTY.COM</p>	<p>J.M. CANTY INTL. LTD. BALLYCOOLIN BUS. PK. BLANCHARDSTOWN DUBLIN 15, IRELAND</p>	
		<p>APPROVAL DEJ</p>	<p>DATE 08-Jul-24</p>				
		<p>ENGINEERING ANALYSIS CURRENT</p>	<p>DATE</p>	<p>TITLE JM CANTY ULTRATEMP CAMERA INSTALL & GENERIC VIEW LAYOUT DWG.</p>			
		<p>MFG. APPROVAL PENDING</p>	<p>DATE</p>	<p>REVISION 0</p>	<p>FILE NAME TA11950-1141G</p>	<p>SCALE AS NOTED</p>	<p>SIZE D</p>