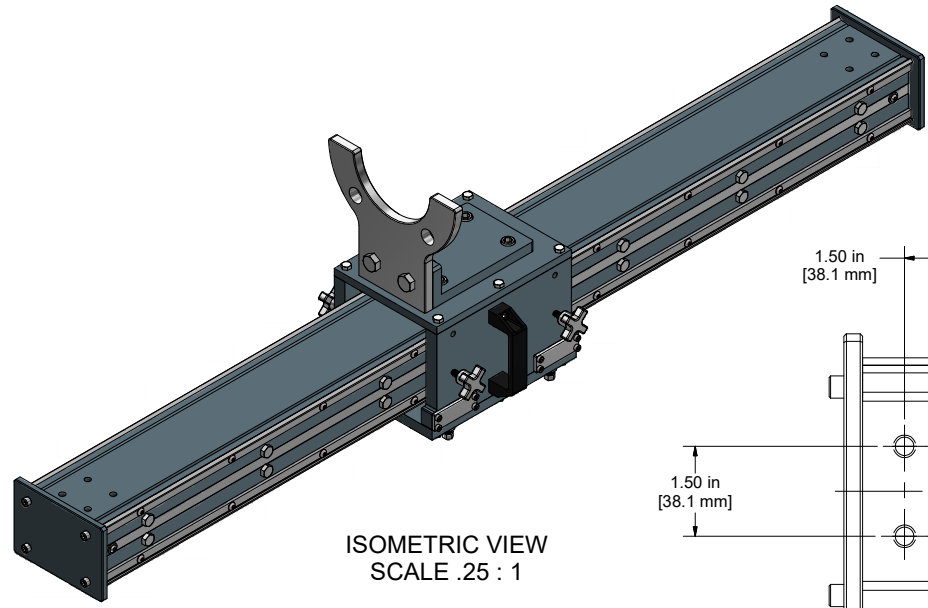
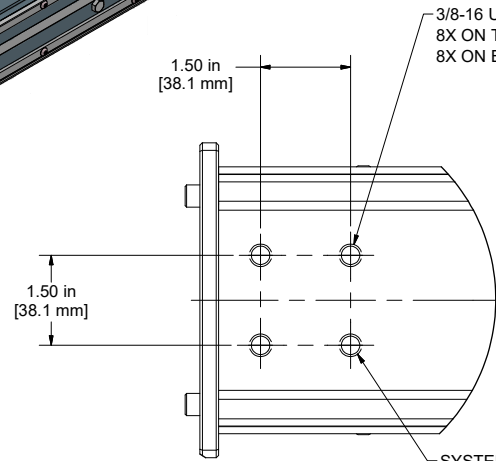


PART NUMBER VD12097-300

DIMENSIONS & OPERATION DETAILS SHEET 1 OF 3



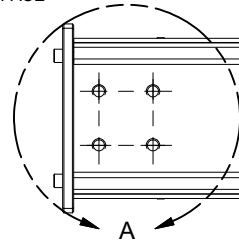
ISOMETRIC VIEW
SCALE .25 : 1



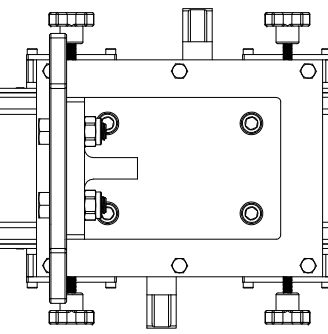
DETAIL A
SCALE .625 : 1

3/8-16 UNC - 2B THRU
8X ON TOP FACE
8X ON BOTTOM FACE

SYSTEM CAN BE MOUNTED USING EITHER THE
8 TOP OR 8 BOTTOM HOLES. CUSTOMER TO PROVIDE
MTG. HARDWARE AND APPROPRIATE MTG. STRUCTURE
OR SUPPORTS. WHETHER SYSTEM IS MOUNTED FROM TOP
OR BOTTOM FACE ALL 8 HOLES MUST BE USED



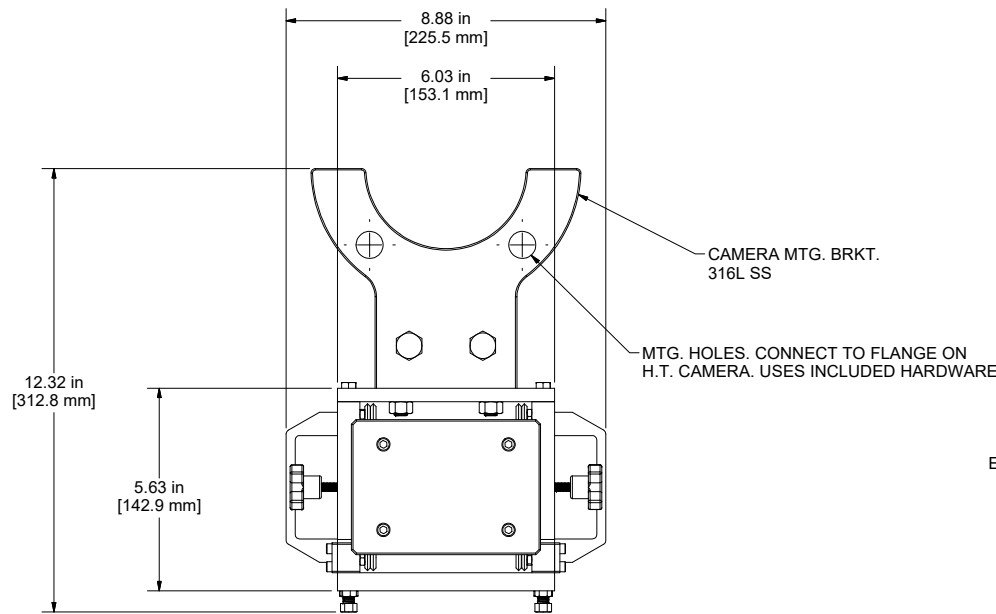
MAIN SUPPORT / FRAME
6061 T6 AL. BOX TUBE
3.00" L X 3.00" W X .25" W.T.



TOP VIEW
SCALE .375 : 1

SIDE RAIL MTG. PLATE
6061-T6 AL. .50" THK.

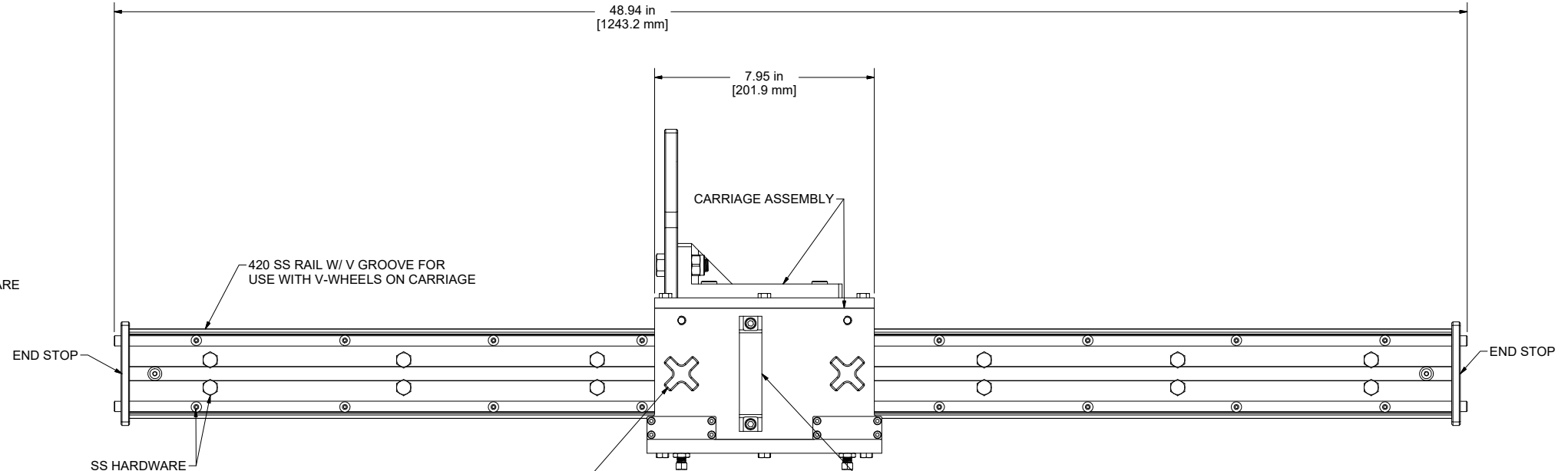
SIDE RAIL MTG. PLATE
6061-T6 AL. .50" THK.



FRONT VIEW
SCALE .375 : 1

CAMERA MTG. BRKT.
316L SS

MTG. HOLES. CONNECT TO FLANGE ON
H.T. CAMERA. USES INCLUDED HARDWARE



SIDE VIEW
SCALE .375 : 1

CARRIAGE ASSEMBLY

420 SS RAIL W/ V GROOVE FOR
USE WITH V-WHEELS ON CARRIAGE

END STOP

END STOP

SS HARDWARE

POSITION LOCK SCREW
M6X1 FULL DOG SCREW
(2X, BOTH SIDES)

HANDLE
(BOTH SIDES)

NOTES:

1. TOP LEVEL P/N'S: **VD12097-300** (RETRACTION SYSTEM) FOR **36" LONG INSERTION CAMERAS**
2. RETRACTION SYSTEM MATERIAL OF CONSTRUCTION ARE: 316L SS, 420 SS, 6061-T6 AL. HARDWARE IS 18-8 SS.
3. WEIGHT **WITHOUT** CAMERA IS: 71LB. [23.5KG].
4. WEIGHT **WITH** CAMERA IS: 240LB. [81.7KG].
5. ALL DIMENSIONS LISTED ARE THEORETICAL AND MAY VARY SLIGHTLY DUE TO MANUFACTURING TOLERANCES.

#

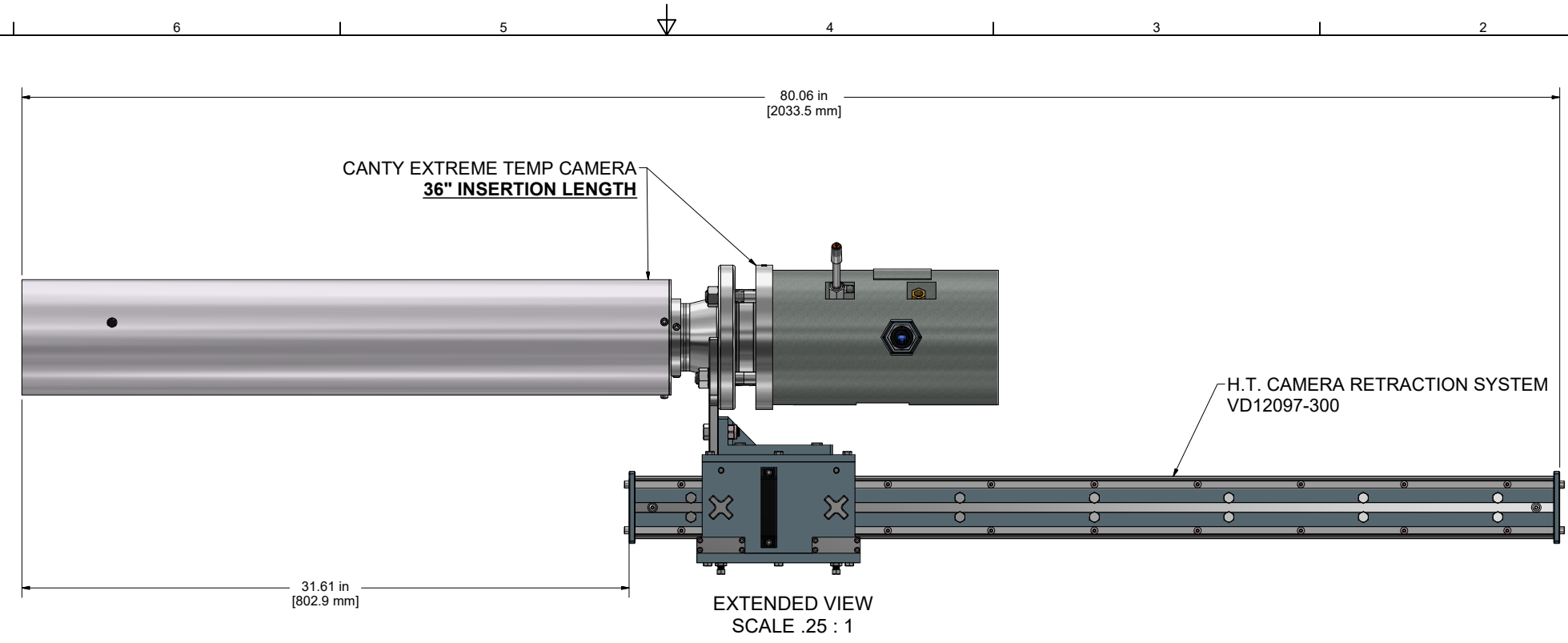
NOTICE
THIS DRAWING IS THE PROPERTY OF J.M. CANTY AND MUST BE RETURNED WITHOUT REPRODUCTION OR DUPLICATION, AT ANY TIME UPON REQUEST, BUT IN ANY EVENT AS SOON AS IT HAS SERVED THE PURPOSE FOR WHICH IT WAS FURNISHED. WHILE IN THE POSSESSION OF THE RECIPIENT, IT MUST BE PROPERLY SAFEGUARDED AGAINST DISCLOSURE TO ANYONE EXCEPT THOSE EMPLOYEES WHO REQUIRE IT FOR WORK OR JOB. THE RECIPIENT MUST KEEP CONFIDENTIAL AND REQUIRE HIS (HER) EMPLOYEES TO KEEP CONFIDENTIAL THE INFORMATION CONTAINED HERE ON.

IMPORTANT
FOR THE REQUIRED MANUFACTURING SPECIFICATIONS SEE DOCUMENT #A4955

NOTE: FAILURE TO RECEIVE DOCUMENT DOES NOT WAIVE VENDOR RESPONSIBILITY

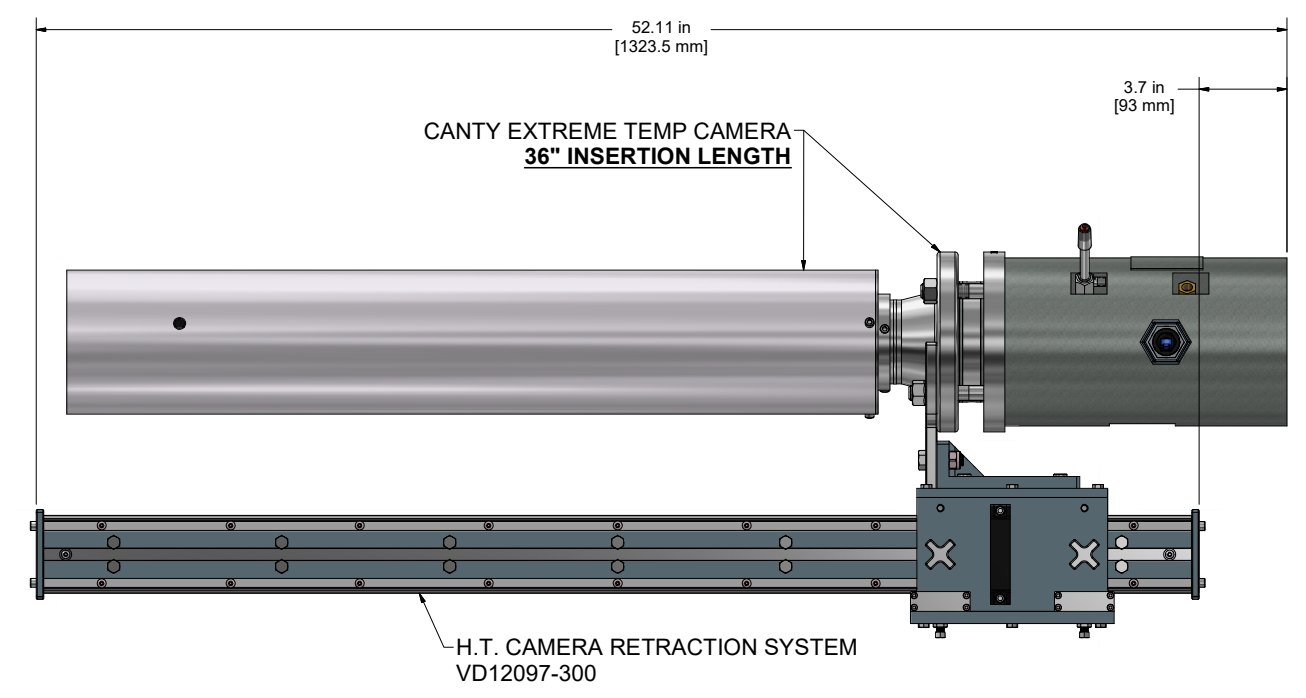
DRAWN BY DEJ	DATE 20-Sep-22
APPROVAL DEJ	DATE 21-Feb-25
ENGINEERING ANALYSIS CURRENT	DATE
MFG. APPROVAL PENDING	DATE
QUALITY CONTROL V.J.S.	DATE

J.M. CANTY INC. 6100 CONNER RD. BUFFALO, N.Y. 14094 U.S.A.	CANTY WWW.JMCANTY.COM	J.M. CANTY INTL. LTD. BALLYCOOLIN BUS. PK. BLANCHARDSTOWN DUBLIN 15, IRELAND
TITLE LAYOUT / SPEC. DRAWING, CANTY P/N VD12097-300, HT CAMERA RETRACTION SYSTEM (FOR 36" INSERTION CAMERAS)		
REVISION 0	FILE NAME VD11919-1220B	
SCALE AS NOTED	SIZE D	SHEET 1 OF 3



EXTENDED VIEW
SCALE .25 : 1

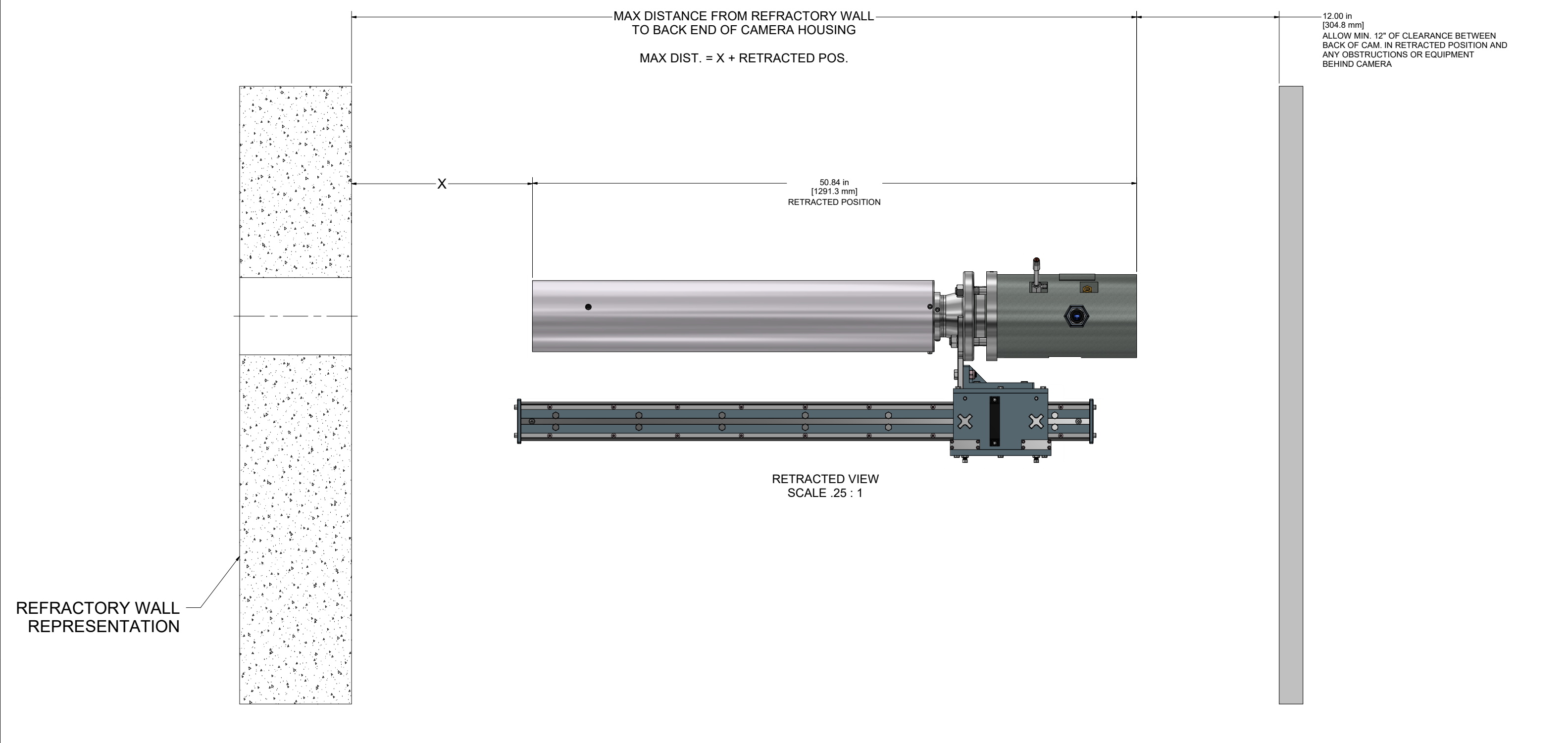
CAMERA MTG. & EXTENDED/RETRACTED VIEW



RETRACTED VIEW
SCALE .25

<p>NOTICE THIS DRAWING IS THE PROPERTY OF J.M. CANTY AND MUST BE RETURNED WITHOUT REPRODUCTION OR DUPLICATION, AT ANY TIME UPON REQUEST, BUT IN ANY EVENT AS SOON AS IT HAS SERVED THE PURPOSE FOR WHICH IT WAS FURNISHED. WHILE IN THE POSSESSION OF THE RECIPIENT, IT MUST BE PROPERLY SAFEGUARDED AGAINST DISCLOSURE TO ANYONE EXCEPT THOSE EMPLOYEES WHO REQUIRE IT FOR WORK OR JOB. THE RECIPIENT MUST KEEP CONFIDENTIAL AND REQUIRE HIS (HER) EMPLOYEES TO KEEP CONFIDENTIAL THE INFORMATION CONTAINED HERE ON.</p>	<p>IMPORTANT FOR THE REQUIRED MANUFACTURING SPECIFICATIONS SEE DOCUMENT #A4955</p> <p>NOTE: FAILURE TO RECEIVE DOCUMENT DOES NOT WAIVE VENDOR RESPONSIBILITY</p>	<p>DRAWN BY DEJ</p>	<p>DATE 20-Sep-22</p>	<p>J.M. CANTY INC. 6100 DONNER RD. BUFFALO, N.Y. 14094 U.S.A.</p>	<p>CANTY WWW.JMCANTY.COM</p>	<p>J.M. CANTY INTL. LTD. BALLYCOOLIN BUS. PK. BLANCHARDSTOWN DUBLIN 15, IRELAND</p>	
		<p>APPROVAL DEJ</p>	<p>DATE 21-Feb-25</p>				
		<p>ENGINEERING ANALYSIS CURRENT</p>	<p>DATE</p>	<p>TITLE LAYOUT / SPEC. DRAWING, CANTY P/N VD12097-300, HT CAMERA RETRACTION SYSTEM (FOR 36" INSERTION CAMERAS)</p>			
		<p>MFG. APPROVAL PENDING</p>	<p>DATE</p>	<p>REVISION 0</p>	<p>FILE NAME VD11919-1220B</p>	<p>SCALE AS NOTED</p>	<p>SIZE D</p>

CAMERA RETRACTED VIEW WITH REFRACTORY WALL EXAMPLE



<p>NOTICE</p> <p>THIS DRAWING IS THE PROPERTY OF J.M. CANTY AND MUST BE RETURNED WITHOUT REPRODUCTION OR DUPLICATION, AT ANY TIME UPON REQUEST, BUT IN ANY EVENT AS SOON AS IT HAS SERVED THE PURPOSE FOR WHICH IT WAS FURNISHED. WHILE IN THE POSSESSION OF THE RECIPIENT, IT MUST BE PROPERLY SAFEGUARDED AGAINST DISCLOSURE TO ANYONE EXCEPT THOSE EMPLOYEES WHO REQUIRE IT FOR WORK OR JOB. THE RECIPIENT MUST KEEP CONFIDENTIAL AND REQUIRE HIS (HER) EMPLOYEES TO KEEP CONFIDENTIAL THE INFORMATION CONTAINED HERE ON.</p>	<p>IMPORTANT</p> <p>FOR THE REQUIRED MANUFACTURING SPECIFICATIONS SEE DOCUMENT #A4955</p>	<p>DRAWN BY DEJ</p>	<p>DATE 20-Sep-22</p>	<p>J.M. CANTY INC. 6100 DONNER RD. BUFFALO, N.Y. 14094 U.S.A.</p>	<p>CANTY</p> <p>WWW.JMCANTY.COM</p>	<p>J.M. CANTY INTL. LTD. BALLYCOOLIN BUS. PK. BLANCHARDSTOWN DUBLIN 15, IRELAND</p>	
	<p>NOTE: FAILURE TO RECEIVE DOCUMENT DOES NOT WAIVE VENDOR RESPONSIBILITY</p>	<p>APPROVAL DEJ</p>	<p>DATE 21-Feb-25</p>	<p>TITLE LAYOUT / SPEC. DRAWING, CANTY P/N VD12097-300, HT CAMERA RETRACTION SYSTEM (FOR 36" INSERTION CAMERAS)</p>			
	<p>ENGINEERING ANALYSIS CURRENT</p>	<p>MFG. APPROVAL PENDING</p>	<p>DATE</p>	<p>DATE</p>	<p>REVISION 0</p>	<p>FILE NAME VD11919-1220B</p>	<p>SCALE AS NOTED</p>
	<p>QUALITY CONTROL V.J.S.</p>	<p>DATE</p>	<p>DATE</p>	<p>DATE</p>	<p>SIZE D</p>	<p>SHEET 3 OF 3</p>	<p>DATE</p>